

## UNIVERSAL ORIFICE PLATES

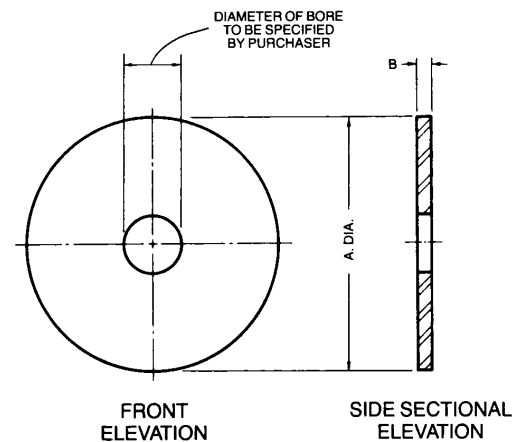
UNIVERSAL ORIFICE PLATES ARE THE MOST ECONOMICAL STYLE OF PLATE AVAILABLE BECAUSE OF LOW INITIAL COST, LESS MAINTENANCE, LESS STORAGE REQUIRED, PLUS THE NECESSITY OF STOCKING PLATES FOR VARIOUS PRESSURE RATINGS IS ELIMINATED. UNIVERSAL ORIFICE PLATES ARE INTERCHANGEABLE WITH

MANY TYPES OF PLATE HOLDERS.

THREE TYPES OF SEALING UNITS (DUAL SEALS, TEFLON SEALS, METAL SEALS) ARE AVAILABLE FOR USE WITH THE UNIVERSAL ORIFICE PLATES. REMOVABLE SEALS ARE STANDARD FROM 2" TO 10" SIZES, BUT ARE ALSO AVAILABLE IN LARGER SIZES.

## DIMENSIONS & WEIGHTS

LINE SIZE	A PLATE O.D.	B PLATE THICKNESS	BLANK WEIGHT (LBS)
2"	2.437	1/8	.17
3"	3.437	1/8	.34
4"	4.406	1/8	.55
6"	6.437	1/8	1.18
8"	8.437	1/4	4.06
10"	10.687	1/4	6.41
12"	12.593	1/4	9.61
14"	14.000	3/8	11.91
16"	16.000	3/8	22.69
18"	18.000	3/8	28.72
20"	20.000	3/8	35.24
24"	24.000	1/2	66.70
26"	26.000	1/2	79.52
30"	30.000	1/2	105.08



### "DVS"

"DVS" ORIFICE PLATES INCLUDE A SYNTHETIC RUBBER SEALING UNIT BONDED TO BOTH SIDES OF THE PLATE FOR A NON-METALLIC SEAL IN THE ORIFICE FITTING BODY SEATS. PLATE O.D. ("A" DIMENSION), SHOWN ON THE CHART TO THE RIGHT, INCLUDES THE RUBBER SEAL.

LINE SIZE	A PLATE O.D.	B PLATE THICKNESS	BLANK WEIGHT (LBS)
12"	13.079	1/4	9.61
14"	14.563	1/4	11.91
16"	16.563	3/8	22.69
18"	18.563	3/8	28.72
20"	20.563	3/8	35.24
24"	24.500	1/2	66.70
26"	26.750	1/2	79.52
30"	30.750	1/2	105.08



### WHEN ORDERING, PLEASE SPECIFY:

- LINE SIZE
- TYPE OF MATERIAL
- ORIFICE DIAMETER
- THICKNESS
- QUANTITY